

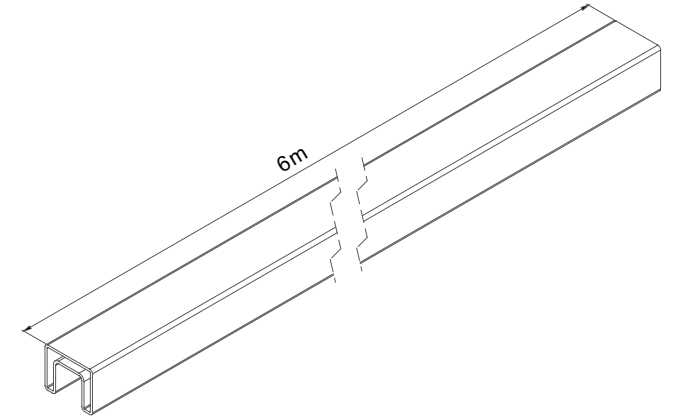
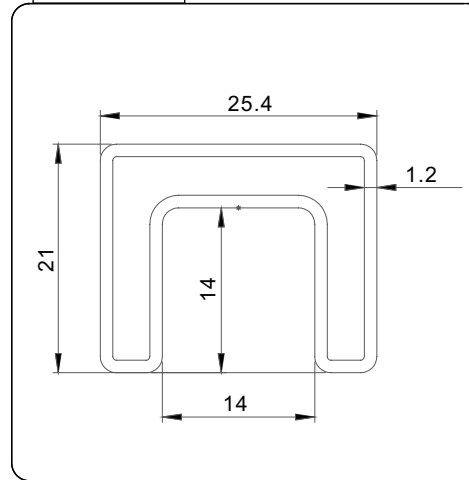
Drawing ID

TR-S25X

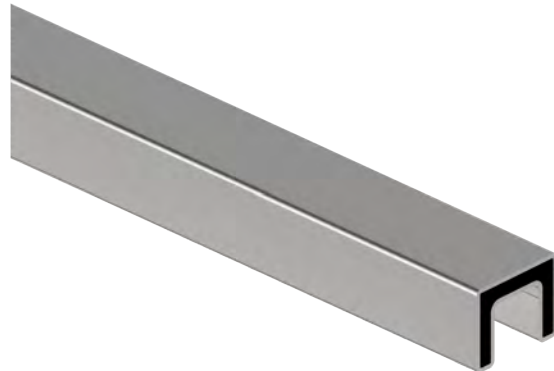
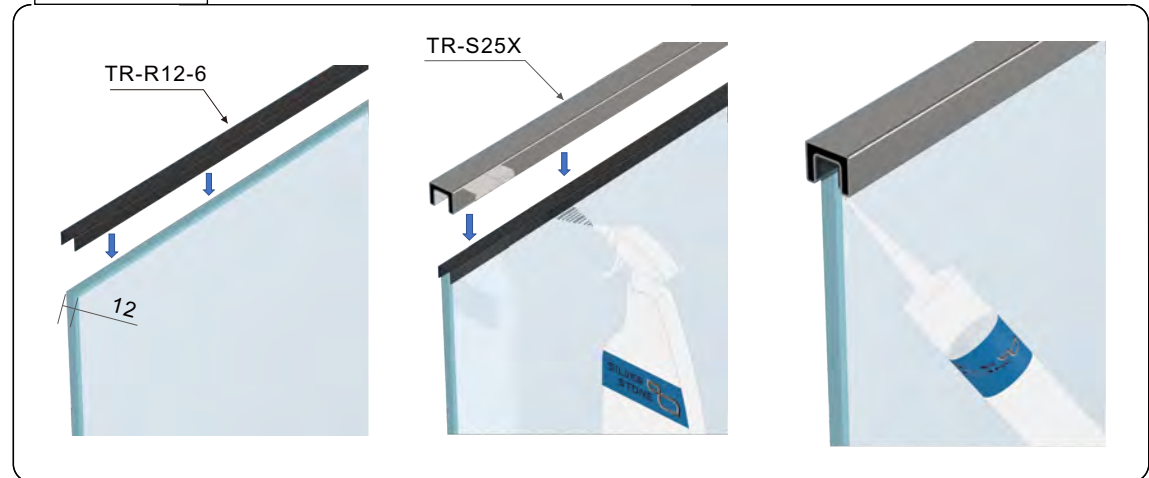
**Product Info.**

Finish	Code
Polish	TR-S25M
Satin	TR-S25S
Texture Black	TR-S25B
White	TR-S25W
Brush Brass	TR-S25BB

**Dimensions**



**Instructions**



**MATERIAL:**

316L Stainless Steel

**CATALOGUE AND DESCRIPTION:**

- > Railing Systems
- > TR-S25 Series
- > 25 x 21mm Square Top Rail

**NOTES:**

This drawing and or specification is the property of Silver Stone Hardware Pty Ltd - and must be returned to them on request. Unauthorised use may result in Legal Action. Its contents must not be made public, nor copied, nor used directly or indirectly in any way.

**SILVER STONE HARDWARE PTYLID**

56-62 Bryant Street, Padstow, NSW 2211  
 T: (02) 9792 2955 M: 0452 526 680  
[www.silverstonehardware.com.au](http://www.silverstonehardware.com.au)  
[sales@silverstonehardware.com.au](mailto:sales@silverstonehardware.com.au)